

JRA3008 MICRO AXIAL FAN

FEATURES

31 x 37 x 8mm 3.3-5V ,Protection. RoHS Compliant

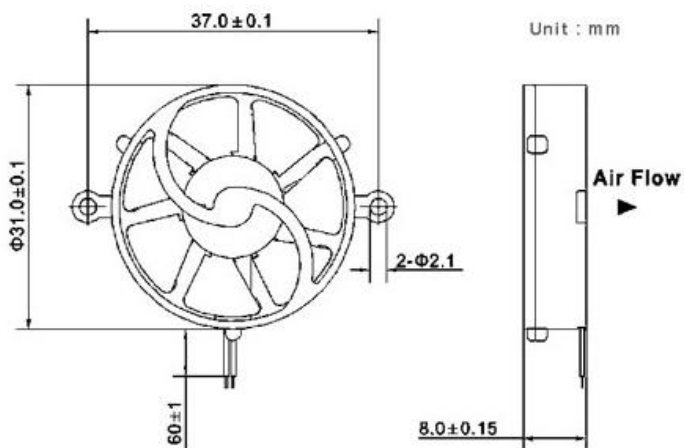


APPLICATIONS

Thermal solution for MR16 / E27 LED lighting · Mini projector · Head-Up Display.

DIMINSIONS

(size:mm)



Dimensions and Specifications are subject to change without notice, please refer to the actual product.

SPECIFICATIONS

Model Number	JRA3008	
Product Name	Axial Fan	
Rated Voltage (VDC)	3.3	5.0
Operating Voltage (VDC)	2.8~5.5	2.8~5.5
Rated Current (mA)	45	67
Rotation Speed (RPM)	5,000±10%	6,500±10%
Air Flow (CFM)	2.18	2.89
Static Pressure (mmAq)	1.2	1.93
Noise (dB(A)) (1 m)	17	22
Weight (g)	3.1	1.7

JRA3008 P-Q CURVE

