

JFB3004 SLIM MICRO BLOWER

FEATURES

30 x 30 x 4.5mm (1.18 x 1.18 x 0.18in), 3.3-5.0V, Axially grooved micro blower. Offering 0.57CFM to 0.87CFM, IP57

Dust/Moisture Protection and RoHS compliant

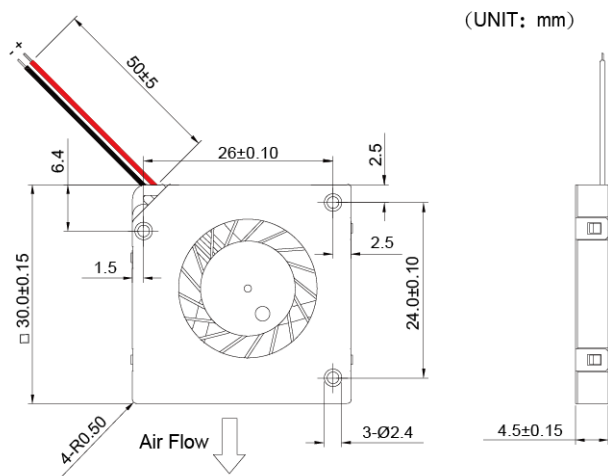


APPLICATIONS

MIDs, UMPCs, Smartbooks, Hand-held POSs, and Portable plasma generators.

DIMENSIONS

(size:mm)



Dimensions and Specifications are subject to change without notice, please refer to the actual product.

SPECIFICATIONS

Model Number	JFB3004	
Product Name	Axial Fan	
Rated Voltage (VDC)	3.3	5.0
Operating Voltage (VDC)	2.8~3.6	4.5~5.5
Rated Current (mA)	50	75
Rotation Speed (RPM)	6,000±10%	8,500±10%
Air Flow (CFM)	0.57	0.888
Static Pressure (mmAq)	2.22	5.23
Noise (dB(A)) (1 m)	28	36

RFB3004 P-Q Curve

