

DC ATOMIC COOLER

FEATURES

- Extra mini and slim, extremely suitable for portable Electronic devices
- High efficiency and low power
- High airflow and low noise
- Self-lubricative bearing used for a long service life



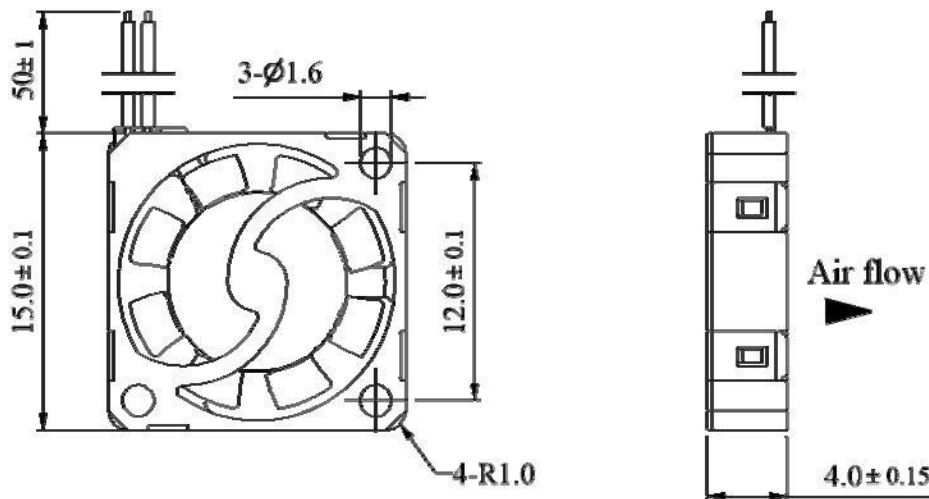
APPLICATIONS

Our atomic cooler is applicable to cooling of the precise electronic commodities, such as Video Processing Chipset for NB, Memory Module for Desktops and NB, and high-end smart phone/PDA , Digital Video Camcorder, Portable Mini Projector and so on.

DIMENSIONS

(: mm)

JFA1504D



SPECIFICATIONS

Model Number	JFA1504	
Product Name	Atomic Cooler	
Bearing	Axially-grooved Bearing	
Rated Voltage (VDC)	3.3	5.0
Operating Voltage (VDC)	2.8~3.6	4.5~5.5
Rated Current (mA)	< 45	< 55
Rotation Speed (RPM)	10,000	16,000
Air Flow (CFM)	0.3	0.4
Static Pressure (mmAq)	1.5	2.8
Noise (dB(A))	25	<35
Weight (g)	1.5	1.5

Specifications subject to change without notice

Operating Temperature : -10 ~ +60°C

PERFORMANCE CURVE

JFA1504

